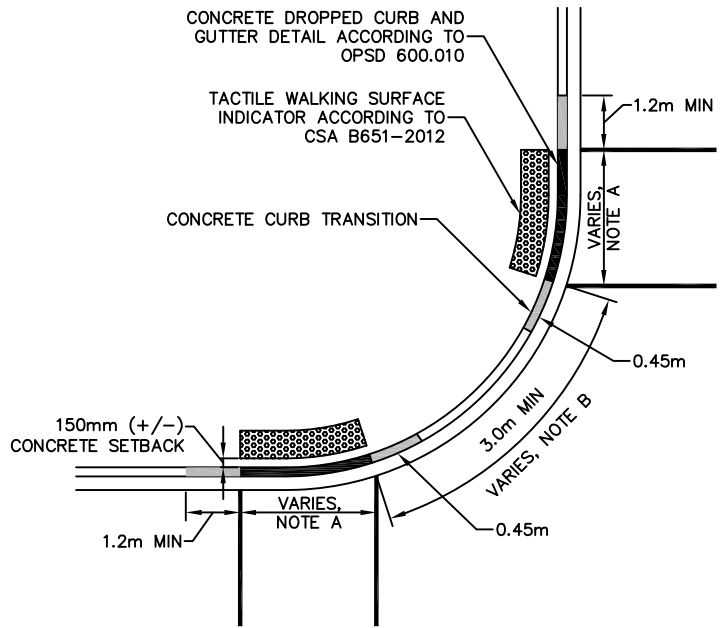


CONTINUOUS DROPPED CURB
AT INTERSECTION CORNER



TWO SEPARATED DROPPED CURBS
AT INTERSECTION CORNER

NOTES

- A. 2.5m MINIMUM FOR PEDESTRIAN CROSSING PAVEMENT MARKINGS.
- B. WHEN DISTANCE IS LESS THAN 3.0m USE CONTINUOUS DROPPED CURB AT INTERSECTION CORNER. WHEN DISTANCE IS GREATER THAN OR EQUAL TO 3.0m USE TWO SEPARATED DROPPED CURBS AT INTERSECTION CORNER.
- 1. DROPPED CURB TO BE PROVIDED FOR WIDTH OF ALL PEDESTRIAN CROSSINGS 1.5m MIN.
- 2. TACTILE WALKING SURFACE INDICATORS TO BE PROVIDED ONLY WITHIN WIDTH OF PEDESTRIAN CROSSINGS.
- 3. TACTILE WALKING SURFACE INDICATORS ARE TO BE INSTALLED AT ALL PEDESTRIAN CROSSINGS IN CONJUNCTION WITH ALL ROAD AND SIDEWALK CONSTRUCTION AND RECONSTRUCTION.
- 4. EACH LOCATION IS SITE SPECIFIC AND CONSULTATION WITH THE CITY OF SARNIA MAY BE REQUIRED FOR NON TYPICAL INTERSECTIONS AND PEDESTRIAN CROSSINGS.
- 5. REFER TO 153-F FOR VARIOUS CONFIGURATIONS OF PEDESTRIAN CROSSINGS AT SIGNALIZED INTERSECTIONS.

REV.1	REVISED FOR 2016 SPEC.	01/16	
REV.#	DESCRIPTION	DATE	AP.BY
CITY OF SARNIA			
LOCATION OF DROPPED CURBS AT CONTROLLED INTERSECTIONS			
APPROVED BY:		BK.	
DRAWN BY: OD	SCALE: N.T.S.	DWG.No.	
CHK' BY:	DATE: FEB 2014	154-F	